

FEATURES

Input voltage

90÷264Vac
WITHOUT P.E (ISOL. CL.2)

Input current

1A max

Input frequency

50/60Hz

Efficiency

80% typ.

Switching operating frequency

70KHz typ.

Input protections

- Fuse T 2A
- Mains filter
- Inrush current limitation

See table for

- Output voltages and currents

- Line and load regulation

- Output ripple and noise

Output protections

- Over load protection
- Short circuit protection
- Over voltage protection: VA + 25% typ.

Hold up time

20msec typ.

Output power

36W

Operating temperature

-40°C to +70°C

Storage temperature

-40°C to 85°C

Temperature drift

0.05%/°C typ.

Long term stability

Better than 1% after 24 hours

Cooling

Natural convection

Dielectric withstand voltage

- Input - Output : 3KVac

Isolation

- OutA - OutB = 2 Kvac

Comply with

- EN 50081-1
- EN 50082-2
- EN 50121-4
- EN 60950-1
- CE

Weight

Card: 190g

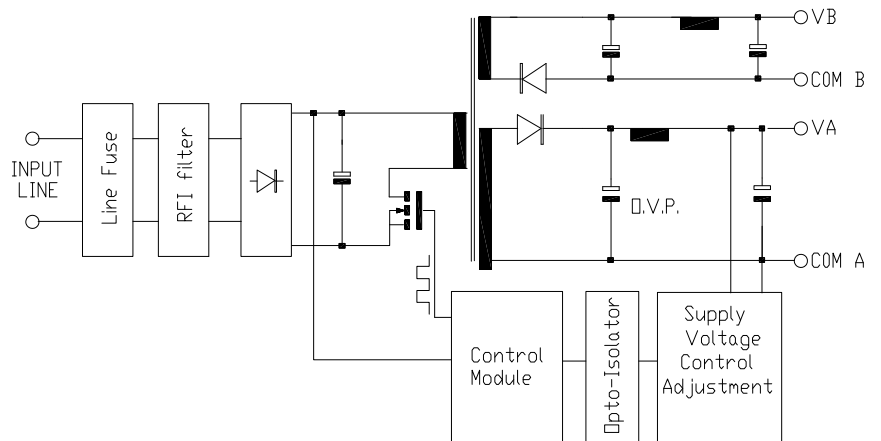
FEATURES TABLE

OUT	Vout Volts	Iout Ampere	Imin Ampere	Line regulation VIN(min+max) %	Load regulation (10÷100%) %	Ripple & Noise (0÷20MHz) mVpp
VA (sw)	24	1	0.15	0.5	1	±1%
VB (sw)	24	0.5	0	0.5	5	±1%

POWER SUPPLY VIEW



BLOCK DIAGRAM



DIMENSIONS AND CONNECTIONS

