

## FEATURES

### Input voltage

230 Vac  
(176÷264 Vac)

### Input current

3 A Max

### Input frequency

50Hz +-5%

### Efficiency

88% typ.

### Input protections

- Inrush current limitation : 30A at Vin=230Vac
- EMI filter
- Line fuse T6,3A 250V

### Leakage current to GND

Max 2mA at 50Hz

### See table for

- Output voltages and currents
- Line and load regulation
- Output ripple and noise

### Output protections

- Overload protection
- Short circuit protection
- Overvoltage: at Vo + 25% typ.

### Output power

280W

### Remote sense compensation

0.5V max

### Output signals

- Alarm relay contact (U.V.P)

### Test points

Output voltage test-points

### Operating indicators

- Led Vout OK on front panel

### Operating temperature

-25°C to +70°C

### Storage temperature

-40°C to +85°C

### Temperature drift

0.01%/°C

### Cooling

Natural convection

### Dielectric withstand voltage

- Input - P.E.: 1500Vac
- Output - P.E.: 500Vdc

### Comply with

- EN 60950-1
- EN 55011
- EN 61000-4-2
- EN 61000-4-3
- EN 61000-4-4
- EN 61000-4-5
- EN 61000-4-6
- IEC 60068-2-6

### Weight

1660g

### Optional features

- DD - Output decoupling diode for parallel connection
- AL - Alarm relay contact (0,75Vn ±10%)

### PCB comply with:

- IPC600 Level 2
- UL 130°C

### Manufacture comply with:

- IPC-A-610D Level 1
- RoHs

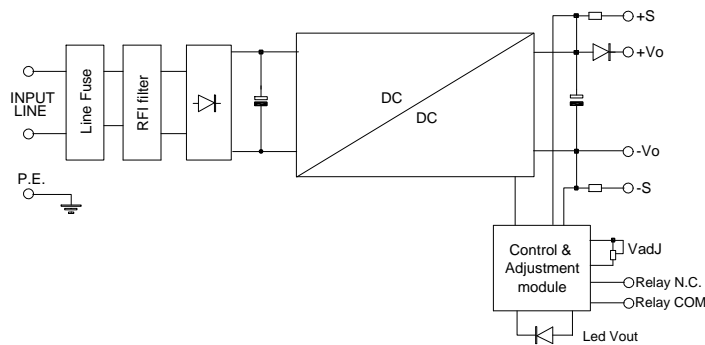
## FEATURES TABLE

Vout Volts	Iout Max Ampere	Iout min Ampere	Line regulation VIN(min÷max) %	Load regulation (10÷100%) %	Ripple & Noise (0÷20MHz) % Vout
28	10	0	±0.1	1	1

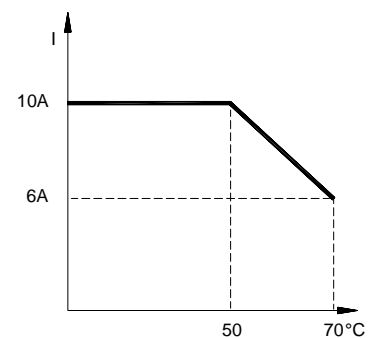
## POWER SUPPLY VIEW



## BLOCK DIAGRAM



## POWER DERATING



## DIMENSIONS AND CONNECTIONS

