

FEATURES

Input voltage

Nominal: 128 Vdc
Range: 89,6...160 Vdc
(76,8...179,2Vdc 0,1sec.)

Efficiency

90%

Switching operating frequency

50KHz typ.

Input protections

- Inrush current typ. < 30A @ Vin max, cold-start.
- EMI filter
- Input voltage polarity inversion

See table for

- Output voltage and current

- Output ripple and noise

Output protections

- Short circuit protection with automatic restart
- Overcurrent protection: 1,1÷1,5 In
- Overvoltage protection: 1,25÷1,40 Vn

Start up time

<0.5 sec.

Output power

960W

Operating indicators

- Led Vout OK

Operating temperature

-25°C to 85°C
-25°C to +50°C (without additional heatsink)

Temperature power derating

1%/°C (50÷70°C)

Storage temperature

-40°C to 85°C

Temperature drift

0.01%/°C typ.

Long term stability

Better than 1% after 24hours typ.

Cooling

Natural convention

Dielectric withstand voltage

- Conform to EN 60950-1

Isolation

- Output - P.E.: 500Vdc

Comply with

- EN 50155
- EN 50121-4
- EN 50121-3-2
- EN 60950-1
- CE

Weight

4.75Kg

Optional features

- DD - Output decoupl. diode for parallel connection
- AL - Alarm relay contact

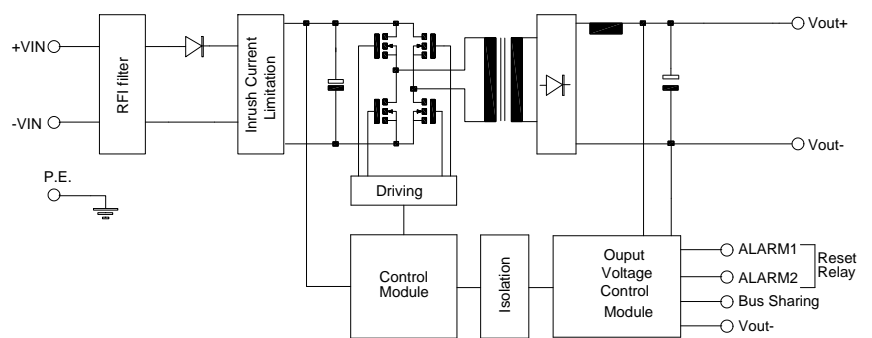
FEATURES TABLE

Vout Nom V	Iout Nom. A	Iout Min A	Voltage Accuracy %	Line Reg. %	Load Reg. %	Ripple & Noise (0÷20MHz) mV
24	40	0	±0.5	±0.5%	± 1%	<200

POWER SUPPLY VIEW



BLOCK DIAGRAM

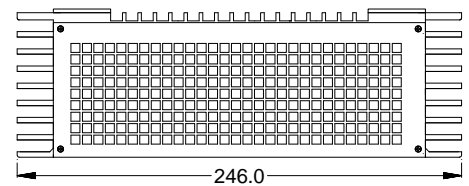
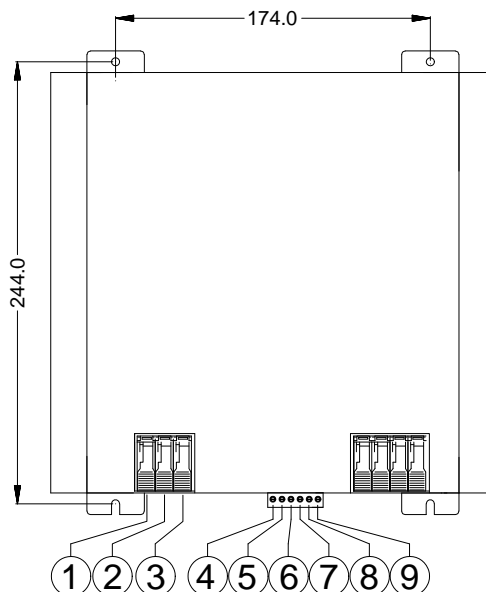
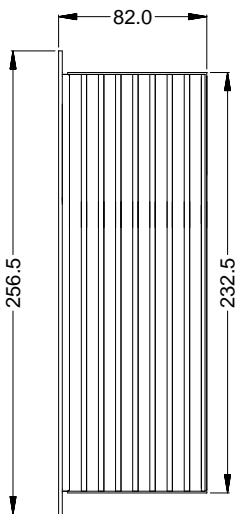


side view

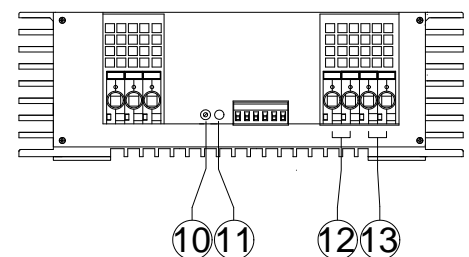
DIMENSIONS AND CONNECTIONS

front view

top view



bottom view



- 1) P.E. 2) -VIN 3) +VIN 4) Bus Sharing 5) GND 6) Spare 7) Spare
8) Relay COM 9) Relay Alarm 10) VADJ (trimmer opt.) 11) Led VoutOK 12) -Vout 13) +Vout