



FEATURES

Input voltage

100±240Vac

Input current

9,5A

Input frequency

47÷63Hz

Efficiency

>70%

Power factor

≥0.85

Input protections

- EMI filter
- Inrush current (25Amax)
- Circuit breaker

Leakage current to GND

<2mA

See table for

- Output Features

Output protections

- Over Voltage protection

- Over Load protection
- Thermal protection
- Short circuit prot. On output V6,V7 with auto restore

Hold up time

>20ms (full load 100Vac) after power fail signal
<5s (no load)

Output power

900W

Remote sense compensation

On outputs V1 V2 V3

Control and adjustment

- Remote ON/OFF

Operating temperature

0°C to 50°C

Storage temperature

-30°C to 85°C

Temperature drift

±0.02%/°C

Humidity

From 10% to 85% without condensation

Cooling

DC internal fan Low Noise

Isolation

- Input/DC output: 3750Vac
- Input/Chassis: 1650Vac (5sec.)
- AC Output/DC Output: 3750Vac
- AC Output/Chassis: 1650Vac (5sec.)

Comply with

- IEC 60320 C14 (line input)
- IEC 60417 (input switch)
- EN 60127 (fuse)

Supervisory Functions

- Power Fail Detect
- Fan Fail Detect

Remote Control Signals

- CMD Pompe a Vide
- CMD Frigo

Operating Indicator

Led yellow/green

MTBF

>100000h (25°C / Ground Fixed)

Approvals and standards

- EN 61010-1 Ed.2
- CSA-C 22.2 N°61010-1 + Ed.2
- UL 61010-1 Ed.2

EMC

- EN 61326-1 + A2
- EN 55011 + A1 (Group 1 - Class A)
- EN 61000-3-2 + A1 + A2 + A14
- EN 61000-3-3
- EN 61000-4-2
- EN 61000-4-3
- EN 61000-4-4
- EN 61000-4-5
- EN 61000-4-6
- EN 61000-4-11
- FCC CFR47 part 15:2003-ClassA
- CE

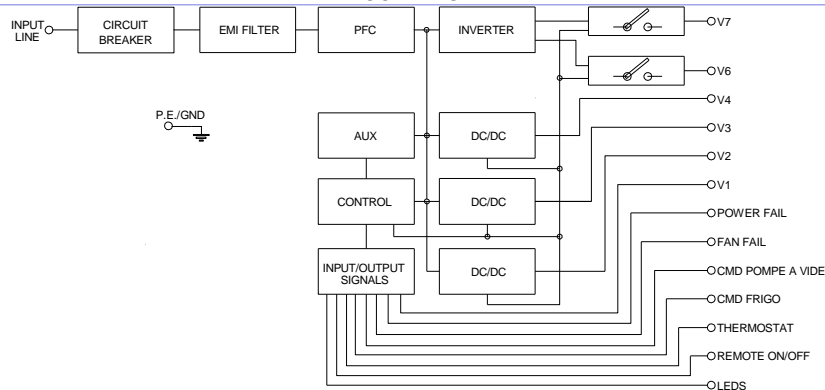
Comply to your documentation:

- BS8502 "BS2 Alimentatore - specifiche tecniche" REV.L.
- SC/BS6002-1 "Specifiche di controllo alimentazione BS2"

FEATURES TABLE

OUT	COMMON or FREQUENCY	Vout Volts	Iout Nom Ampere	Iout Min Ampere	Over Voltage Protection Volts	Line regulation VIN(min÷max) %	Load regulation (10÷100%) %	Tolerance max	Ripple & Noise (0÷20MHz) mV
V1	COM1	5.1	99	00	6.25	0.2	0.5	±2%	50
V2	COM1	24	15	00	30	0.2	0.5	±3%	100
V3	COM2	5.1	66	00	6.25	0.2	0.5	±2%	50
V4	COM2	12	2.5	00	15	0.2	0.5	±3%	50
V6	50Hz ±3%	220Vac	259VA	00	--	--	--	±5V (rms)	--
V7	50Hz ±3%	220Vac	246VA	00	--	--	--	±5V (rms)	--

BLOCK DIAGRAM



POWER SUPPLY VIEW

