

Input voltage
400-500V 3AC (340-576V 3AC resp.480-810VDC)

Input frequency
50-60Hz

Efficiency
86% typ. at Pnom.

Switching operating frequency
70KHz typ.

Power factor
0,66 typ.

Input protections

- Inrush current typ. < 30A @ Vin max, cold-start.
- EMI filter
- Line fuses

See table for

- Output voltage and current
- Output ripple and noise
- Line and load regulation

Output protections

- Overvoltage protection
- Over load protection

Output power
120W

Control and adjustment

- Vadjust trimmer (21.6...28.0V)

Operating indicators

- Green led Vout OK

Operating temperature
-10°C to 70°C

Temperature power derating
60÷70°C see diag.

Storage temperature
-40°C to 85°C

Temperature drift
0.05%/°C typ.

Long term stability
Better than 1% after 8 hours

FEATURES

Humidity
10÷90% non condensing

Cooling
Natural convection

Dielectric withstand voltage

- Conform to EN 60950-1

Isolation

- Output - P.E.: 500Vdc

Comply with

- CE

Weight
0,75Kg

Approvals (pending):

- IEC 60950-1 (AC and DC input)
- EN 60950-1 (AC and DC input)
- UL 60950-1 (AC and DC input)
- CSA 22.2 No. 60950-1 (AC and DC input)

- UL 508 Listed (AC and DC input)
- EN 50178 (AC and DC input)
- EN 60204 (AC and DC input)

EMC standards:

- EN 55011 (EN 55022)
- EN 61000-3-2
- EN 61000-4-2
- EN 61000-4-3
- EN 61000-4-4
- EN 61000-4-5
- EN 61000-4-6
- EN 61000-4-8
- EN 61000-4-11
- EN 61204-3

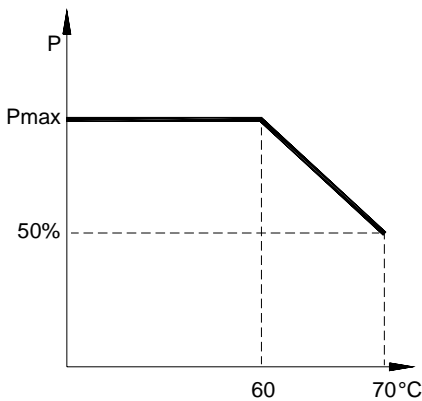
Optional features

- AL - Alarm relay contact
- DD - Output decoupl. diode for parallel connection
- I - Inhibit input ; inhibits all outputs

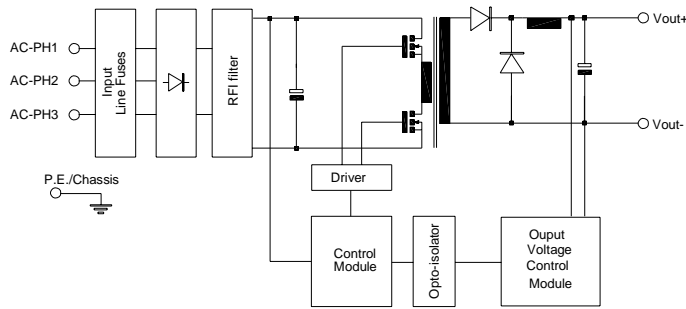
FEATURES TABLE

Vout Nom Volts	Iout Nom (Vout Nom) A	Iout Min A	Voltage Accuracy %	Line Reg. %	Load Reg. %	Ripple & Noise (0÷20MHz) mV
24	5	0	0-1%	0.5%	1%	<100

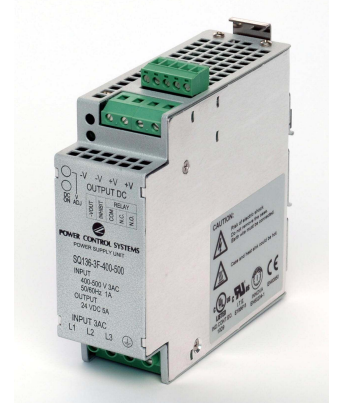
TEMP. DERATING



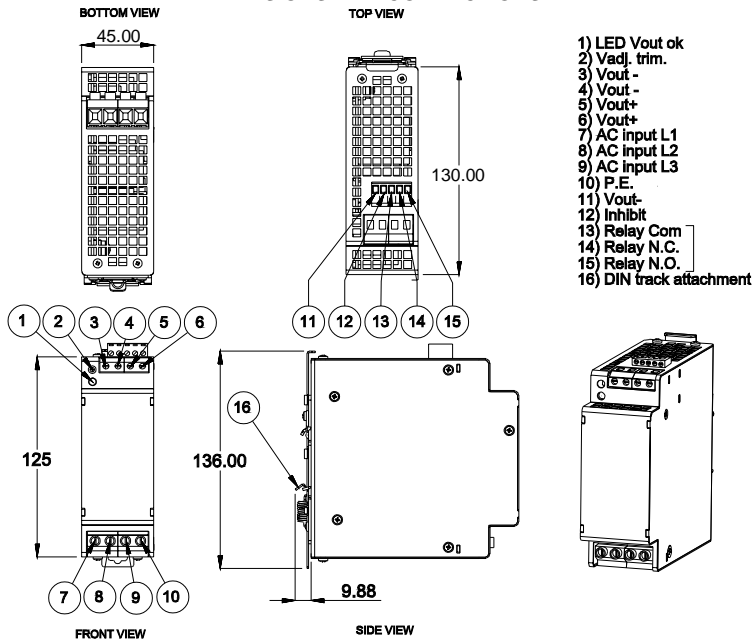
BLOCK DIAGRAM



POWER SUPPLY VIEW



DIMENSIONS AND CONNECTIONS



- 1) LED Vout ok
- 2) Vadj. trim.
- 3) Vout -
- 4) Vout -
- 5) Vout+
- 6) Vout+
- 7) AC input L1
- 8) AC input L2
- 9) AC input L3
- 10) P.E.
- 11) Vout-
- 12) Inhibit
- 13) Relay Com
- 14) Relay N.C.
- 15) Relay N.O.
- 16) DIN track attachment