

Input voltage
400-500V 3AC (340...576V 3AC)

Input current
3.5A

Input frequency
50/60Hz

Efficiency
91%

Switching operating frequency
30KHz typ.

Power factor
0,89 typ.

Input protections

- Inrush current typ. < 50A @ Vin max, cold-start.
- RFI filter
- Fuses

• Overvoltage pulse limitation

See table for

- Efficiency at Vin 400V
- Power factor at Vin 400V
- Input current at Vin 400V
- Hold up time
- Output power
- Output voltage and current
- Output ripple and noise

Output protections

- Short circuit prot. with automatic resume
- Over current protection
- Over voltage protection

Start up time
<0.1 sec.

Output power
1440W

FEATURES

Inhibit input
• (optional) High active (4.5÷15V)

Control and adjustment
• Vadjust trimmer

Operating temperature
-10°C to 60°C

Temperature power derating
2%/°C (50÷60°C see diag.)

Storage temperature
-25°C to 85°C

Temperature drift
0.01%/°C typ.

Long term stability
Better than 1% after 24hours typ.

Cooling
Forced ventilation

Dielectric withstand voltage

- Comply to EN 60950

Isolation

- Output - P.E.: 500Vdc

Comply with

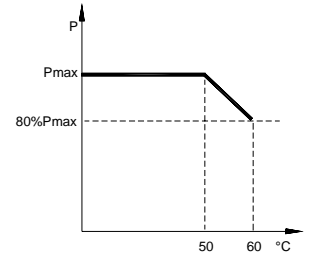
- EN 55011 class B
- EN 55022 class B
- EN 50081-1
- EN 50082-2
- EN 60950-1
- CE

Weight
4.75Kg

FEATURES TABLE

MODEL	Effic. Typ. %	Power Factor Typ.	Input Current A	Hold Up Time ms	Vout Nom...Max V	Iout Nom. (Vout Nom) A	Iout Min A	Voltage Accuracy %	Line Reg. %	Load Reg. %	Ripple & Noise (0÷20MHz) mV
SQ1506-3F-400-500	91	0.89	3.5	>6	24...30	60	0	±0.5	±0.5%	±2%	<200
SQ1508-3F-400-500	91	0.89	3.5	>6	48...55	31	0	±0.5	±0.5%	±2%	<200

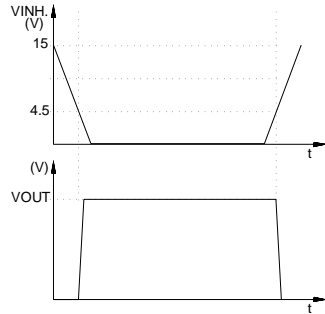
TEMP. DERATING



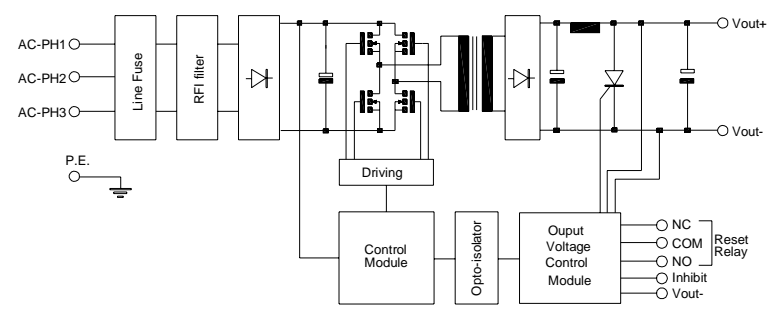
POWER SUPPLY VIEW



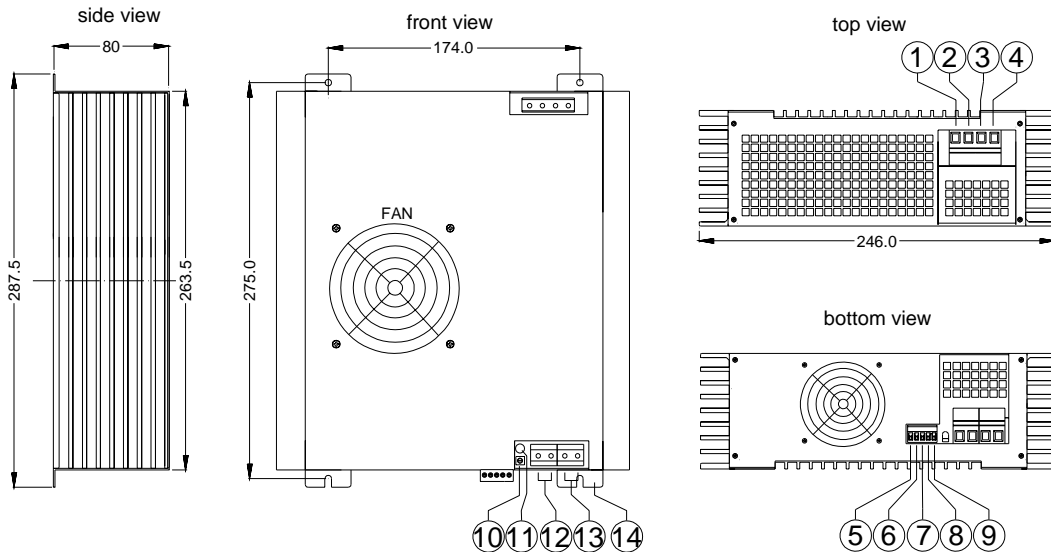
INHIBIT DIAGRAM



BLOCK DIAGRAM



DIMENSIONS AND CONNECTIONS



- 1)ACinput phase1 2)ACinput phase2 3)ACinput phase3 4)P.E. 5)Vout- 6)Inhibit 7)Reset relay NO
8)Reset relay COM 9)Reset relay NC 10)Vadj. 11)led Vout ok 12)Vout- 13)Vout+ 14)SF-Fixing Bracket